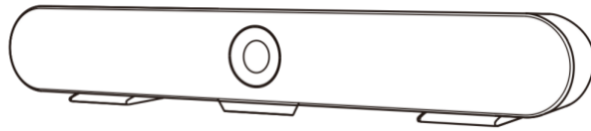






VIDEO SOUND BAR

User Manual v1.1



SYMBOLS INSTRUCTION

Symbol	Instructions
 Explanation	To represent the supplement and explanation of the text.
 Note	To indicate that the user is alerted to some important operation or to prevent the potential danger of injury and property damage.
 Warning	To indicate a potential risk that, if not avoided, may result in injury accidents, equipment damage or business interruption.
 Dangerous	To indicate a high potential risk that, if not avoided, may result in significant risk of death or injury.

SAFETY NOTES

The following important notes must be followed carefully to run the camera and respective accessories in total safety. The camera and relative accessories are called video system in this section.

- Before installing the camera, please read this manual carefully. Please follow installation instructions indicated in this manual during installation. Please keep this manual for future use.
- Please put the power cable, video cable and control cable in safe place.
- Do not operate the camera beyond the specified temperature and humidity. Working temperature range of the camera is between 0°C ~ +40°C. The ambient humidity range is 10%RH ~ 90%RH.
- During transporting, avoid violent shake or force to the camera.

CONTENTS

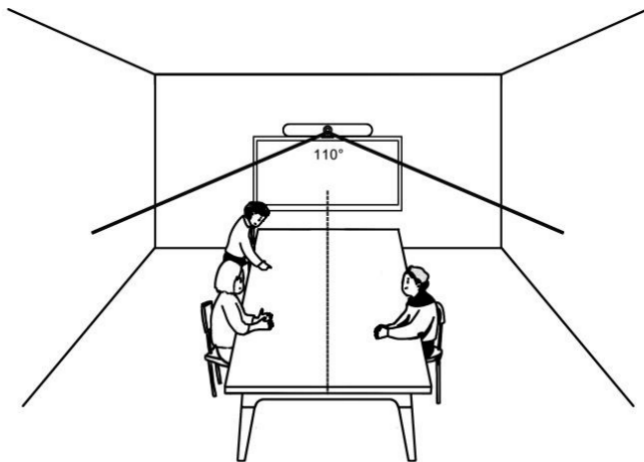
1. ABOUT THE PRODUCT	1
1.1. CHARACTERISTICS & FUNCTIONS	1
1.2. APPLICATION SCENARIOS	1
2. COMPONENTS	2
2.1. ACCESSORIES	2
2.2. MAIN PARTS & INTERFACES	3
2.3. REMOTE & CONTROL (STANDARD)	4
2.4. COMMON FUNCTION	5
3. INSTALLATION	6
3.1. DIMENSION FIGURE	6
3.2. INSTALLATION	6
3.3. CONNECTION	8
4. TECHNICAL DATA	9
5. MENU	10

1. ABOUT THE PRODUCT

1.1.Characteristics & Functions

- All-in-one design with built-in camera, microphone, speaker;
- 110° ultra-wide FOV with no distortion, full coverage of the whole meeting room;
- 4K Ultra HD video @30FPS, brings super clear video experience;
- Built-in high-sensitive omnidirectional microphone, up to 5 meters of sound pickup distance, support ANS, AEC, AGC;
- USB 3.0, MJPEG/H.264/H.265/YUV;
- Support UVC/UAC protocol;
- EPTZ function;

1.2.Application Scenarios



2. COMPONENTS

2.1. Accessories

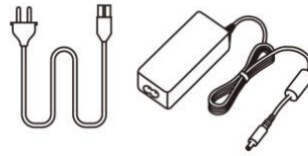
When you open the box, check all accessories according to the packing list.



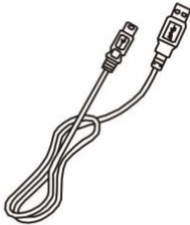
Camera X1



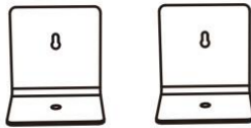
Remote Control X1



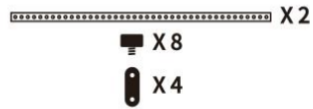
AC Adapter X1



USB Cable X 1

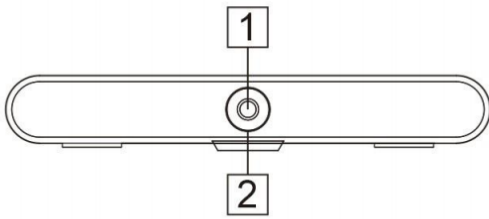


Bracket X 2



**TV Mount Bar with
Screws X1**

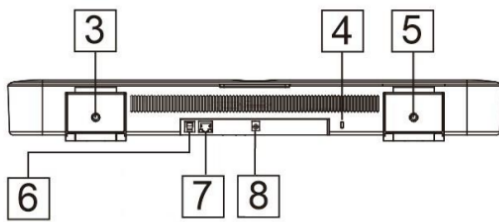
2.2.Main Parts & Interfaces



Front View



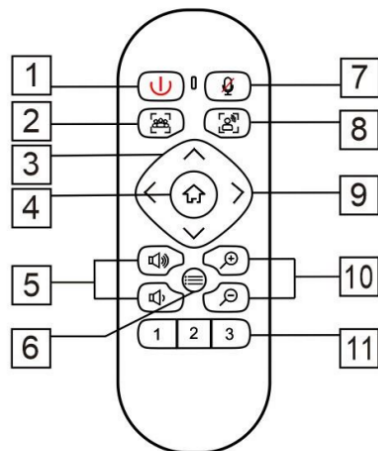
Side View



Bottom View

No	Interface	No	Interface
1	Camera Module	5	Bracket
2	Indicator Light	6	USB3.0
3	Bracket	7	Ethernet
4	Security Lock Slot	8	Power

2.3.Remote Control (Standard)




No	Name	Function
1	Power	Turn on/off the camera
2	Auto Framing	Enable/stop to auto framing
3	Tilt	<ul style="list-style-type: none"> ➤ In menu mode, set menu options; ➤ In non-menu mode, it is used for vertical adjustment of the screen
4	HOME	<ul style="list-style-type: none"> ➤ In menu mode, confirm to enter; ➤ In non-menu mode, the screen returns to the original position
5	Volume	Turn up/down the volume
6	Menu	Open/close the OSD menu
7	Mute	Turn on/off the microphone sound
8	Audio track	Reserved
9	Pan	<ul style="list-style-type: none"> ➤ In menu mode, set menu options; ➤ In non-menu mode, it is used for vertical adjustment of the screen
10	Zoom	Zoom in/out
11	Number	Set and call the preset point

2.4.Common Function


2.4.1. EPTZ

The camera supports EPTZ control, and 4x digital zoom. The EPTZ can be controlled via direction keys to adjust the image position. And the current image size can be adjusted via zoom button.

 **Note:** When the image is under max range, press the direction keys, the screen will not move.

2.4.2. Auto Framing

This product has auto framing function. Press the corresponding key and the camera screen can be intelligently scaled according to the number of people in the meeting scene, and centralize all participants. Press again to turn off the automatic box.

 **Note:** When the camera is under auto framing state, press the auto framing key or the direction keys, zoom keys, the auto framing state will end.

2.4.3. Set/Call the preset

Long press the number key for more than 3 seconds to set presets.

Short press the number key to call the presets, and the camera will quickly go to the preset position and size.

2.4.4. Menu Function

After entering the menu, select the menu options via direction keys.

Press the HOME key to enter the options, adjust the options by using the pan button.

Press the menu key to return to the previous interface until the exit menu.

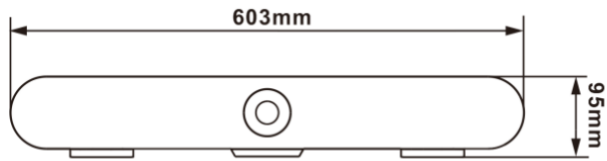
2.4.5. Indicator

Action	Indicator Status
None	Blue
Mute	Red
Adjust The Volume	Green, the range of light on varies with the volume

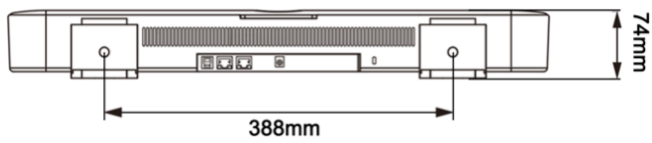
3. INSTALLATION

3.1. Dimension Figure

Front

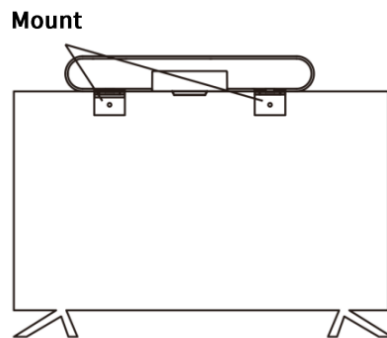


Bottom

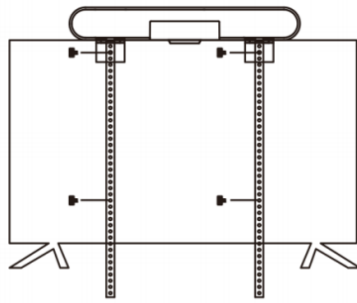


3.2. Installation

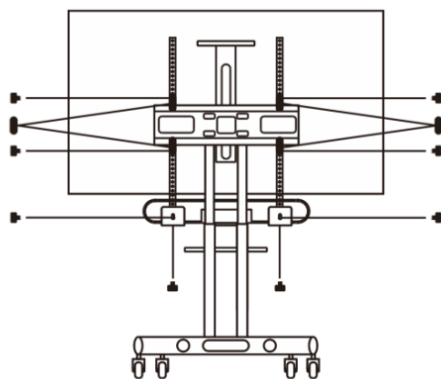
3.2.1. Bracket (Standard)



- If your TV doesn't have mounting bracket, please fix the mount bars with screw holes on the back of your TV.

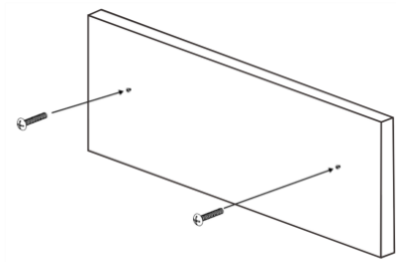


- If your TV has a mounting bracket, please fix the mount bars with screw holes on the mounting bracket.

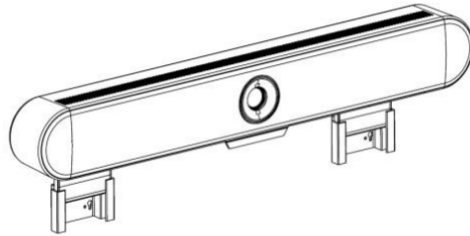


3.2.2. Wall-mount

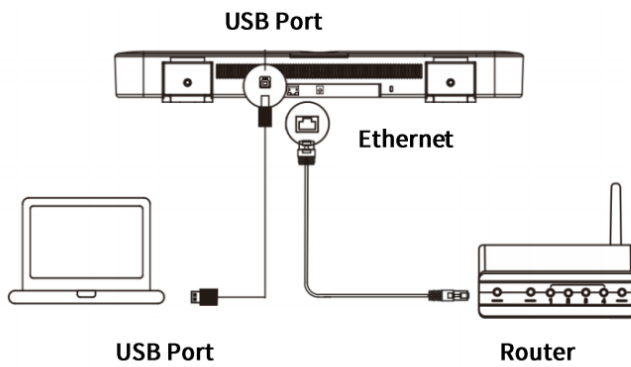
- Referring to the aperture and position of the mounting hole, drill the corresponding hole at the mounting place and fix the bracket in the mounting place with screws.



- Insert the camera base into the groove of the bracket. To ensure the safety of the camera, make sure the camera is firmly attached to the bracket before you let it go.



3.3.Connection



Note: When the camera is connected to the network, the PC can be connected directly through the USB interface.

4. TECHNICAL DATA

Camera	
Image Sensor	1/2.8" 4K CMOS, 8.46MP
IRIS	F2.2
Digital Zoom	4X
Field of View	Horizontal: 110°, Vertical: 74°
EPTZ	Support
Min Focus Distance	50cm
Min Illumination	10Lux
Exposure	Auto, Manual, Shutter Priority
White Balance	Auto, Manual, Trigger
Digital Noise Reduction	2D, 3D
Image Flip	Flip, Mirror
Audio	
Built-in Mic	4MIC array
Pick-up Distance	5meter
Audio Process	AEC, ANC, AGC
USB Interface	
USB	1 channel USB3.0, Type B, support UVC 1.0, MJPEG/H.264/H.265/YUV, UAC
MJPEG	4K@30/25, 1920x1080@30/25, 1280x720@30/25, 640x360@30/25
H.264	4K@20, 1920x1080@30/25, 1280x720@30/25, 640x360@30/25
H.265	4K@20, 1920x1080@30/25, 1280x720@30/25, 640x360@30/25
YUV	1920x1080@5, 1280x720@12, 640x360@30/25
Other	
Auto Framing	Support
Network Interface	RJ-45, 10/100/1000M
Mic Extension	Support
Remote Control	Yes
General	
Power	DC 12V, < 8W
Working Temperature	0°C ~ + 40°C

Storage Temperature	-20°C ~ +60°C
Working Humidity	10%RH ~ 90%RH
Dimension (L×W×H)	603mm×74mm×95mm
Net Weight	1.66kg
Color	Black

5. MENU

5.1. Menu Structure

< Image >

- AUTO FRAME — ON, OFF
- BRIGHTNESS — 0, 1, 2, 3, 4, 5, 6, 7, 8, 9, 10, 11, 12, 13, 14
- CONTRAST — 0, 1, 2, 3, 4, 5, 6, 7, 8, 9, 10, 11, 12, 13, 14
- HUE — 0, 1, 2, 3, 4, 5, 6, 7, 8, 9, 10, 11, 12, 13, 14
- SATURATION — 0, 1, 2, 3, 4, 5, 6, 7, 8, 9, 10, 11, 12, 13, 14
- SHARPNESS — 0, 1, 2, 3, 4, 5, 6, 7, 8, 9, 10, 11, 12, 13, 14, 15
- GAMMA — 0, 1, 2, 3, 4
- GAIN — 0, 1, 2, 3, 4, 5, 6, 7, 8, 9, 10, 11, 12, 13, 14
- ANTI FLICKER — 50HZ
- BACKLIGHT — ON, OFF
- COMP.

< SYSTEM >

- LANGUAGE — ENGLISH
- MIRROR — ON, OFF
- FLIP — ON, OFF
- DZOOMLIMIT — 2X, 3X, 4X
- EXPERT MODE — ON, OFF
- DETECTION — HIGH, MIDDLE, LOW SENS.

< DEVICE INFO >

- IR ADDRESS
- FIRM VERSION

< DEFAULTS > — DEFAULTS — CONFIRM